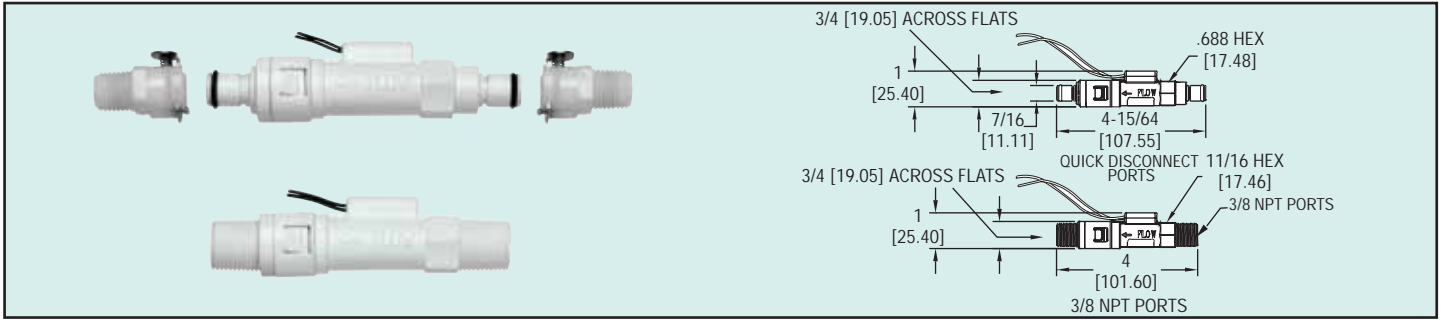




Series
P3

Polypropylene Flow Switch

Fixed Set Points from 0.25 to 2.0 GPM, 3/8" NPT or "Quick Disconnect" Adapters



Fit almost any piping requirements with the Series P3 Polypropylene Flow Switch. The basic piston design consists of a hermetically sealed SPST normally open reed switch. Choose the inlet and outlet port to be 3/8" male NPT or 1/4" male "Quick Disconnect". Select a quick disconnect acetal adapter for straight through flow or with a shut off valve. The shut off valve will stop line flow when the adapter is removed from the switch. The flow will resume when the adapter is reconnected. With many snap-on fittings to choose from, any flow application can integrate the P3 Flow Switch into the existing piping.

MODELS

Model Number	Connection	Actuation Set Point GPM (LPM)
P3-31	3/8" NPT	0.25 (.95)
P3-32	3/8" NPT	0.50 (1.89)
P3-33	3/8" NPT	1.0 (3.79)
P3-34	3/8" NPT	1.5 (5.68)
P3-35	3/8" NPT	2.0 (7.57)
P3-41	Q Disconnect	0.25 (.95)
P3-42	Q Disconnect	0.50 (1.89)
P3-43	Q Disconnect	1.0 (3.79)
P3-44	Q Disconnect	1.5 (5.68)
P3-45	Q Disconnect	2.0 (7.57)

SPECIFICATIONS

Service: Compatible liquids.
Wetted Materials: Housing: Polypropylene; Piston: PPS composite; Spring: 316SS; O-ring: Fluorocarbon.
Temperature Limits: 0 to 212°F (-18 to 100°C).
Pressure Limits: 125 psig (8.6 bar) @ 70°F (21°C), 50 psig (3.4 bar) @ 212°F (100°C).
Accuracy: 20% of set point.
Repeatability: ±1%.

Switch Type: SPST, N.O.
Electrical Rating: .08A @ 120 VAC.
Electrical Connection: 24" (60.96 cm), polymeric wire leads, 22 AWG.
Process Connection: 3/8" male NPT or 1/4" quick disconnect.
Mounting Orientation: Any position. Set points shown are based on vertical, inlet down position.
Required Filtration: 100 microns or better.
Weight: 5 oz (0.14 kg).

ADAPTERS

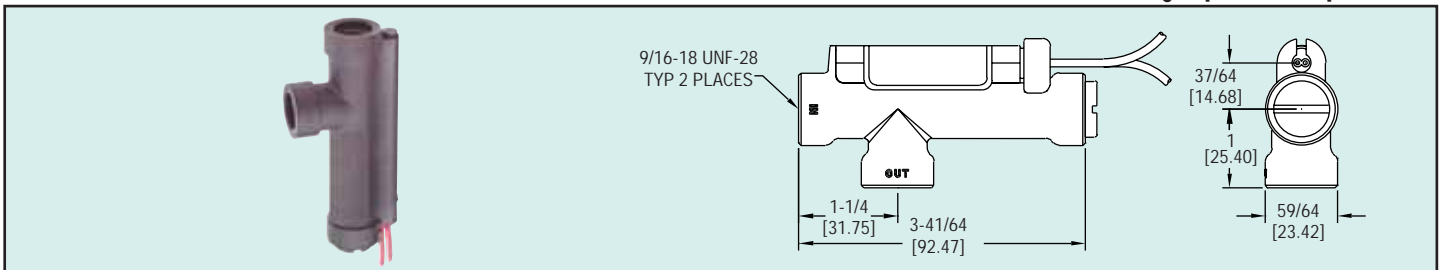
Model Number	Connection
P3-801	Quick Disconnect Straight through 1/4" NPT
P3-802	Quick Disconnect Straight through 1/4" BSPT
P3-804	Quick Disconnect Straight through 3/8" BSPT
P3-807	Quick Disconnect Straight through 1/4" ID Tubing
P3-901	Quick Disconnect Straight through 1/4" NPT w/ Shut-off Valve
P3-902	Quick Disconnect Straight through 1/4" BSPT w/ Shut-off Valve
P3-907	Quick Disconnect Straight through 1/4" ID Tubing w/ Shut-off Valve



Series
P4

PPS Piston Flow Switch

Fixed Set Points from 0.1 to 1.5 GPM, SPST and SPDT Switching, Optional Adapters



The Series P4 PPS Flow Switch features a molded plastic construction for enhanced performance. Monitor liquids with fixed set points from 0.1 to 1.5 GPM. Choose normally open or normally closed SPST or SPDT hermetically sealed reed switch technology. The industrial switch features Ryton® R4 housing and piston, 316SS spring, Fluoroelastomer O-ring and Epoxy. The inlet and outlet ports are 9/16"-18 UNF-2B thread with optional 1/8" and 1/4" NPT or 1/2" barbed adapters.

MODELS

Model Number	Actuation Set Point GPM (LPM)	Switch Type
P4-11	.1 (.38)	SPST, N.O.
P4-12	.25 (.95)	SPST, N.O.
P4-13	.5 (1.89)	SPST, N.O.
P4-14	.75 (2.84)	SPST, N.O.
P4-15	1 (3.7)	SPST, N.O.
P4-16	1.5 (5.68)	SPST, N.O.
P4-31	.1 (.38)	SPDT
P4-32	0.25 (.95)	SPDT
P4-33	0.5 (1.89)	SPDT
P4-34	0.75 (2.84)	SPDT
P4-35	1.0 (3.79)	SPDT
P4-36	1.5 (5.68)	SPDT

SPECIFICATIONS

Service: Compatible liquids.
Wetted Materials: Housing and piston: Polyphenylene Sulfide (PPS) R4; Spring: 316 SS; O-ring: Fluoroelastomer; Other: Epoxy.
Temperature Limits: 0 to 225°F (17 to 107°C).
Pressure Limits: 250 psig (17 bar) @ 54°F (12°C).
Accuracy: ±15% of set point.
Repeatability: ±1%.
Switch Type: SPST or SPDT.

Electrical Rating: .17A @ 120 VAC, .08A @ 240 VAC, .13A @ 120 VDC, .06A @ 240 VDC.
Electrical Connection: 18 AWG, 24" (60.96 cm), PVC lead wires.
Process Connection: 9/16-18 UNF-2B or choice of connection adapters (sold separately).
Mounting Orientation: Any position. Set points shown are based on vertical, inlet down position.
Required Filtration: 50 microns or better.
Weight: 4 oz (0.11 kg).

OPTIONAL ADAPTERS

Model Number	Description
P4-98	1/8" NPT
P4-94	1/4" NPT
P4-92	1/2" Barb